

KSG7007A

Oven

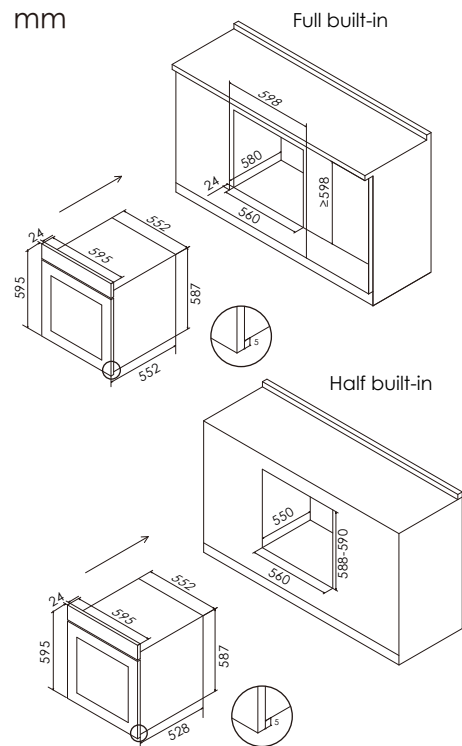
- 70L Effective Volume
- 3D convection fan
- New Lighting Design And Large Viewable Window
- Enameled surface of cavity and trays



Specification

Product Size(W*D*H)(mm):	595 x 552 x 595
Full Build-In(W*D*H)(mm):	598 x (≥580) x 598
Half Build-In(W*D*H)(mm):	598 x (≥550) x 590
Power(W):	2800
Volume(L):	70
Temperature Control Range(°C):	40-250
Number Of Modes:	8
Socket(A):	16

Unit: mm



70L Effective Volume

7 KG of Turkey can be cooked

3D convection fan

Accurate temperature controls makes uniform temperature

New Lighting Design And Large Viewable Window

Easy to control the process

Enameled surface of cavity and trays

Resistance acid, base and high temperature

Warranty

One-year repair service (including parts & labour).