

## KSG7003AT

Oven

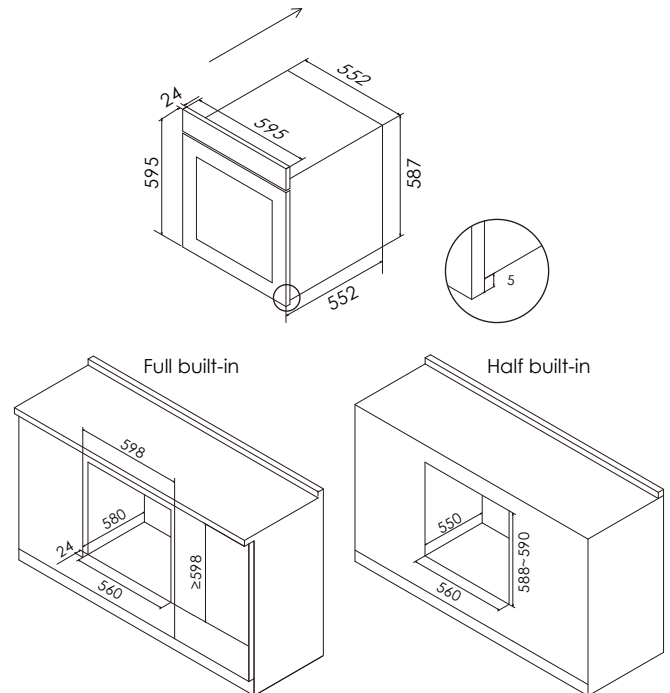
- 70L Effective Volume
- 3D convection fan
- Two LOW-E Coating Glass Doors
- Enameled surface of cavity and trays



### Specification

Product Size(W*D*H)(mm):	595 x 595 x 552
Full Build-In(W*D*H)(mm):	598 x (≥580) x 598
Half Build-In(W*D*H)(mm):	560 x (≥550) x 590
Power(W):	3180
Volume(L):	70
Temperature Control Range(°C):	40-250
Number Of Modes:	10
Socket(A):	16

Unit: mm



#### 70L Effective Volume

7 KG of Turkey can be cooked

#### 3D convection fan

Accurate temperature controls makes uniform temperature

#### Two LOW-E Coating Glass Doors

Keep you away from heat

#### Enameled surface of cavity and trays

Resistance acid, base and high temperature

### Warranty

One-year repair service (including parts & labour).